

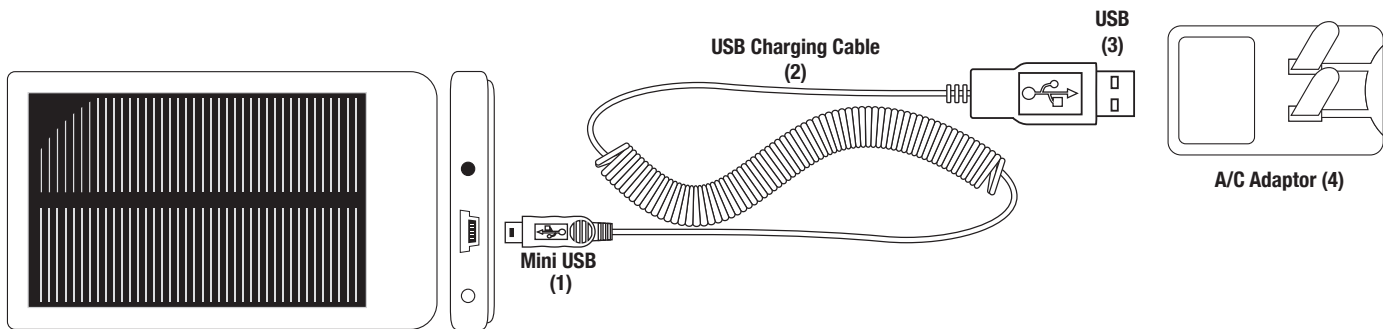
Operation Manual for 5255A

This compact Solar device, provides power the convenient, eco-friendly way. Can be recharged from direct sunlight, through an A/C power outlet or via computer. It charges most small electronic devices like an iPod, iPhone, PDA, GPS, digital camera, MP3 player and most brands of cell phones which provided with 7 attachments.

Checking the battery level

When light is turning red or off, it indicates the power is low, and it needs to be charged. When light is turning green, it indicates the power is 90% full.

Charging Device from Power Outlet

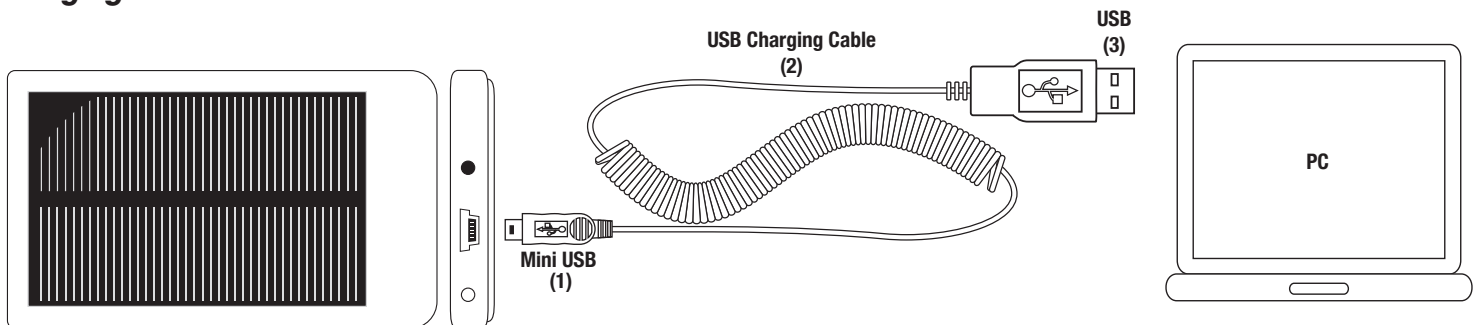


Please refer to the diagram above for connections.

- Take the USB charging cable (2) and plug the mini USB end (1) into the socket of solar charger.
- Insert the USB end (3) into A/C adaptor (4).
- After this connection is completed, plug the A/C adaptor into the power outlet to start charging.

When the green light is on, it indicates the device is fully charged. It takes approximately 4 hours to fully charge the device by A/C power outlet.

Charging Device via PC



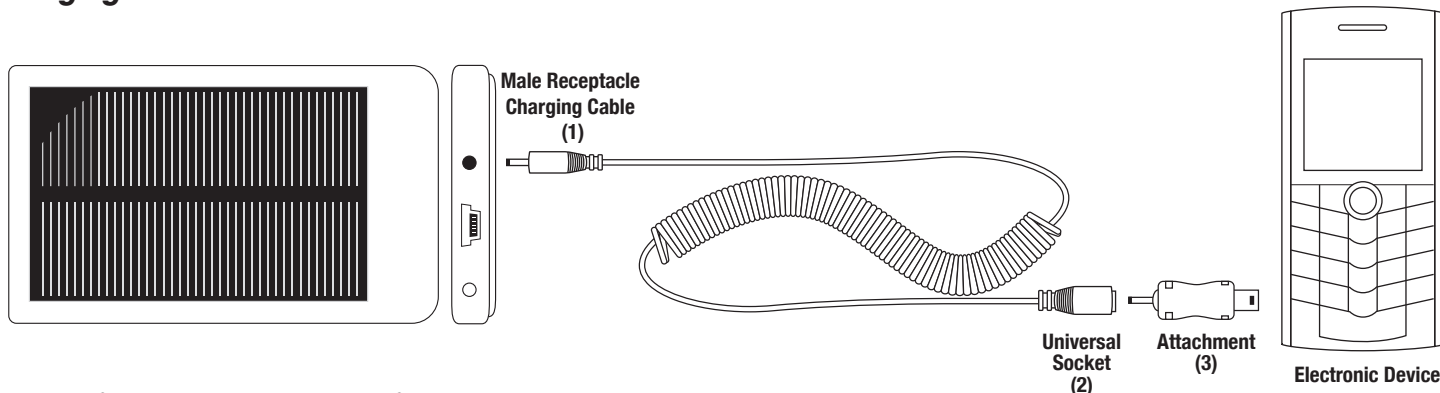
Please refer to the diagram above for connections.

- Take the USB charging cable (2) and plug the mini USB end (1) into the socket of solar charger.
- Insert the USB end (3) into PC to start charging. When green light is on, it indicates the power is fully charged. It takes approximately 4 hours to fully charge by PC.

Charging Device from Sunlight

It is not necessary to connect any wires in order to charge the device by sunlight. Simply place the device facing to the sunlight; a 90-degree angle provides optimal charging. Approximately 18 hours of exposure to good sunlight is necessary to fully charge the device.

Charging Electronic Devices



Please refer to the diagram above for connections.

- Take the male receptacle charging cable (1) and plug it into the solar charger.
- Find a suitable attachment (3) and insert it into the universal socket (2) of charging cable.
- After this connection is completed, plug the attachment to the electronic device to start charging.

Accessories Included

It includes one A/C adaptor, two charging cables, 7 attachments for iPod, iPhone, Blackberry Storm, Motorola mini USB, Samsung, LG, Nokia, Ericsson, one protective cover, one carry pouch.

Specifications

- Type of battery: Lithium polymer
- Capacity: 1600 mAH
- Input Voltage: 5.0 V \pm 0.5 V
- Output Voltage: 5.5 V \pm 0.2 V
- Input Current: 1000 mA max
- Output Current: 700 mA \pm 80 mA
- Solar panel power: 0.9 Watt

Safety Warning

- Do not dispose of in fire
- Do not attempt to disassemble the charger
- Do not short circuit the charger
- Do not immerse the charger in water or expose to rain
- Do not expose to temperatures in excess of 45°C/130°F

1- Year Limited Warranty

Goodhope warrants to the original purchaser of the product to be free from defects in materials and workmanship for one year from the original purchase date. For warranty service, you must provide the receipt with the proof of the original purchase date.

If defective, Goodhope will, at its discretion, repair or replace the defective unit. Goodhope reserves the right to use reconditioned parts that are equivalent or superior to the original factory specifications. Replacement parts are warranted to be free from defects in materials and workmanship for thirty days, or for the remainder of the limited warranty period of the product, whichever is longer.

This warranty only covers normal use for which the product is designed. This warranty does not cover any damage caused by accident, abuse, misuse, improper installation, negligence or improper shipping.

Goodhope is not liable for any damage to the devices or damage & loss of any programs, data, or other information stored on any media contained within the devices.

For warranty service, please return the damaged product with proof of purchase, at your expense, to our customer service dept. at Goodhope bags, 5911 Schaefer Ave., Chino, CA 91710. Please allow approx. 30 days for the warranty service repair.