

User Manual for Item #P5269

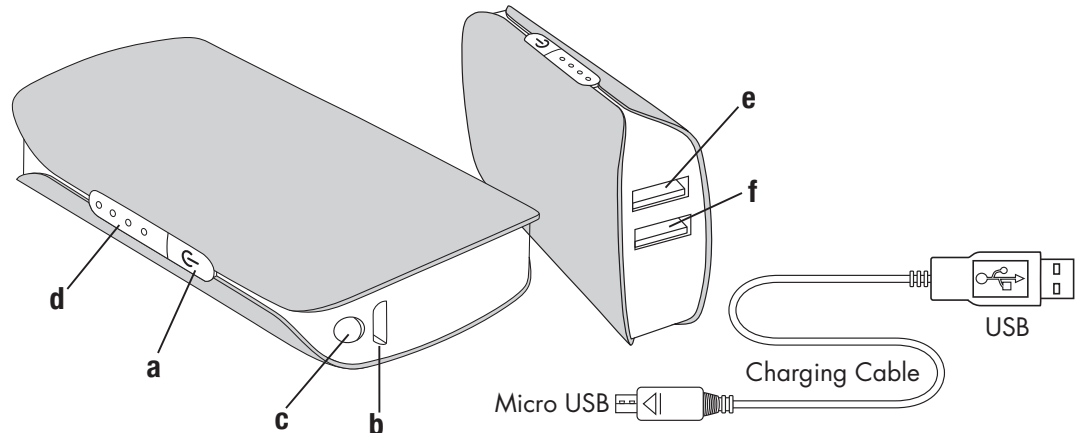


General Description

This convenient power bank makes the perfect gift for anyone who is on-the-go. It charges all models of iPads, iPhones, iPods, Samsung, mobile devices, most brands of smartphones, tablets, GPS and digital cameras. It also comes with a bright LED flash light. This power bank can charge two devices at the same time!

Product Diagram

- a. ON/OFF switch
- b. Input Micro USB port
- c. LED flash light
- d. LED power indicator
- e. 1A output USB port
- f. 2.1A output USB port



Charging to Power Bank

- Insert the Micro USB end of the included charging cable into the Input Micro USB port (B) on the Power Bank.
- Plug the USB end of the charging cable into your USB enabled A/C adapter (you may need to use your original A/C adapter that has a USB port), or directly plug the USB into your PC.
- After this connection is completed, plug the A/C adapter into the power outlet to start charging
- During the charging process, the LED indicator lights will start blinking
- Once the LED indicator lights stop blinking, the power bank is fully charged.
- Please allow for 3-4 hours to fully charge the unit.

Charging Small Electronic Devices

- Insert the USB end of charging cable into the output USB port (e) or (f) on the power bank.
- Plug the Micro USB charging cable into the device which has micro USB port. To charge an Apple device, you will need to use your original USB cable for charging.
- When the power bank is fully charged, it can charge iPhone one and a half cycles or an iPad one cycle.
- It takes about two and half hours to full charge an iPhone

Please note that output marked 2.1A is for tablets, and output marked 1.0A is for phone.

Flash Light & Power Bank Use

- Press the power button to turn the power bank on. The power bank will turn off automatically in 15 seconds when not in use.
- Double click the power button to turn the flash light on or off.
- There are four LED indicators (d) which indicates the power level. When all the LED lights and lit up, it means the unit is fully charged.

Specifications

- Battery type: High performance Li-ion
- Capacity: 4400 mAh
- Input: 5V / 1A
- Output: 5V / 2.1A / 1.0A

Safety Warnings

- Do not expose the product to rain or water.
- Keep the unit away from fire, high temperatures, or moisture.
- Do not attempt to modify or dismantle the battery
- Do not short circuit the battery
- This product is not a toy, keep away from children.